

OIL LEVEL INDICATOR

MODEL : OLI-BUSH-50

1.0 APPLICATION :

This indicator is suitable for oil filled distribution transformers & oil filled tanks.

2.0 SCOPE:

Indicator continuously reads level inside the conservator or Oil filled tanks.

3.0 CONSTRUCTION & WORKING :

The indicator has a cast aluminium body and an integrated mounting flange. A pair of permanent magnets separated by a metallic wall are used to prevent oil leaks and the entry of contaminated air into the tank (see schematic). A driving magnet submerged in oil is coupled to a float that serves as a sensor. The driven magnet has a pointer and is situated outside of the body. The pointer allows for readings of the oil level on the dial. To prevent the ingress of moist air, the body of the indicator with the dial is sealed. There are no electrical contacts on this device. Allen Screws can be used to adjust the length of the float-arm.

4.0 SPECIFICATIONS :

Liquid in tank :

Compatible with transformer or any other oil.

Specifications :

Temperature : -10° to $+115^{\circ}$ C of oil.
 Pressure : 0 to 1 kg/Cm²
 Environment : Indoor or outdoor.
 Ingress Protection : IP-65.
 Corrosion Resistance : Available in C4-M & C5-M.

Mounting :

In order to mount the indicator, the buyer must provide a pad that matches Fig. 4. Depending on the significance of the oil level measurements, a position can be chosen on the vertical wall of the conservator tank.

Calibration :

Dial Size : 50 mm round (nominal)
 Unit : Any calibration as per Customer's requirement is possible.
 Colour : Yellow marking on black background or any other combination as required.

Float (sensor) and arm :

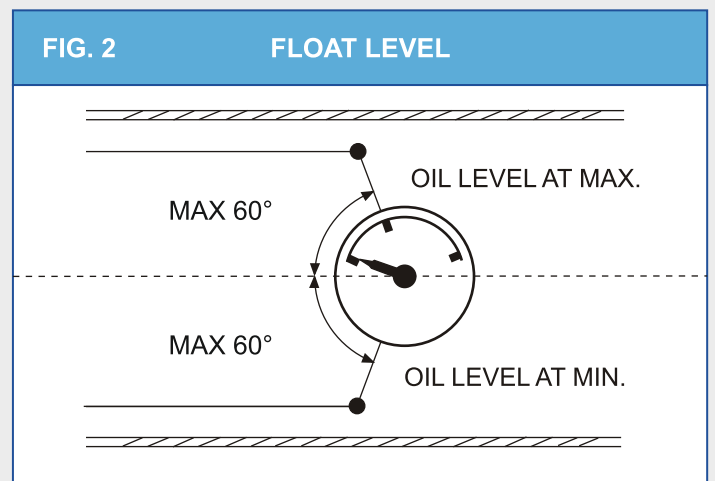
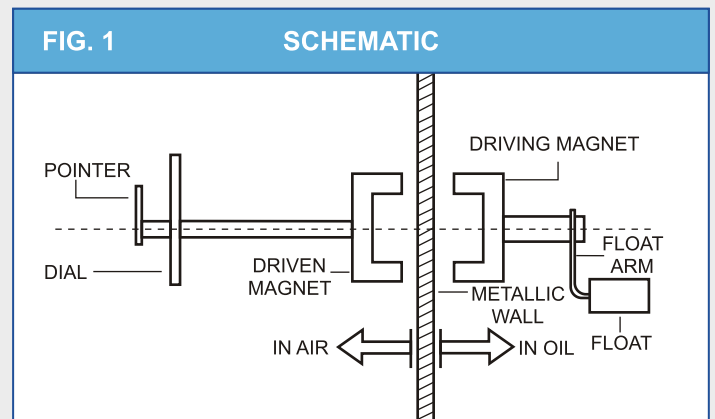
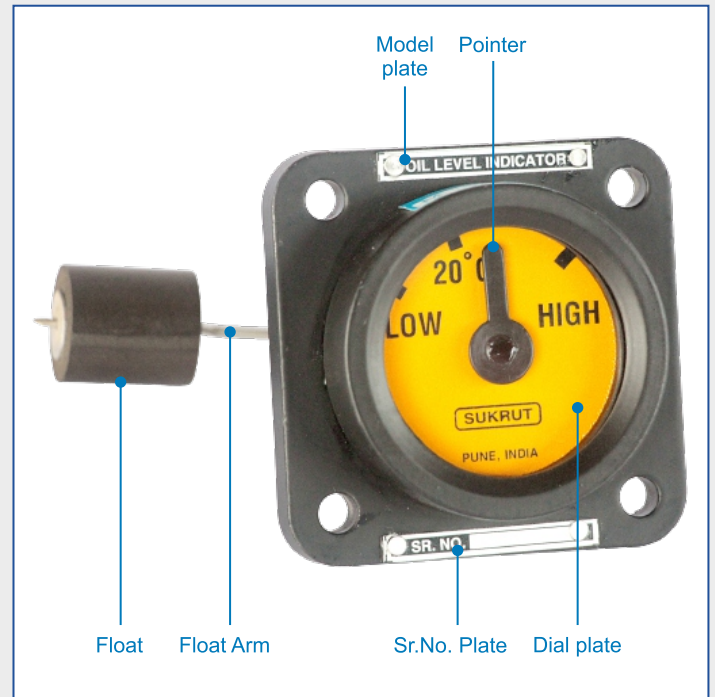
Material : Float - Nitrophenyl, Arm - S.S.
 Travel : Max 120 degrees below & above center.
 Length : Adjustable Float arm length.

5.0 Routine Tests :

Each indicator is tested for specified levels. A test certificate is issued for each batch.

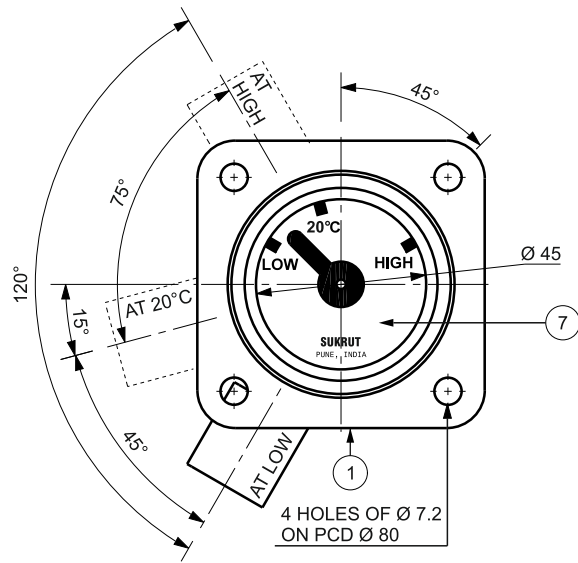
6.0 HOW TO ORDER :

We provide a Questionnaire for specifying your requirements. However, a drawing is acceptable giving all specifications.

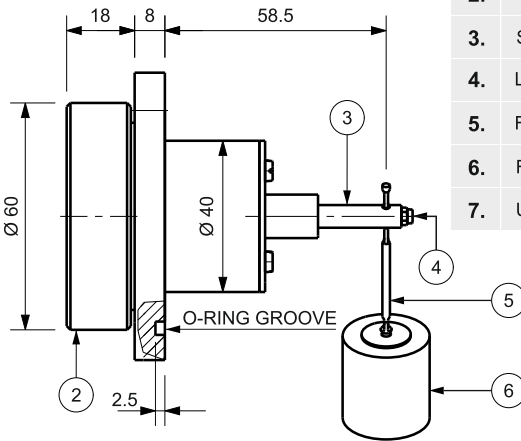


OIL LEVEL INDICATOR MODEL : OLI-BUSH-50

FIG.3 OIL LEVEL INDICATOR-BUSH-50



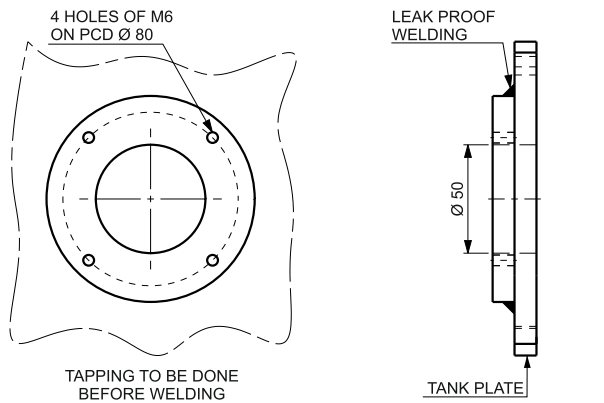
FRONT VIEW



SIDE VIEW

PART LIST		
S/N	DESCRIPTION	MATERIAL
1.	HOUSING	CAST AL.
2.	GLASS RING	ALUMINUM
3.	SHAFT	BRASS
4.	LOCK NUT	BRASS
5.	FLOAT ARM	S.S
6.	FLOAT	NYTROPHYL
7.	UV GLASS	POLY-CARBONATE

FIG.4 MOUNTING PAD

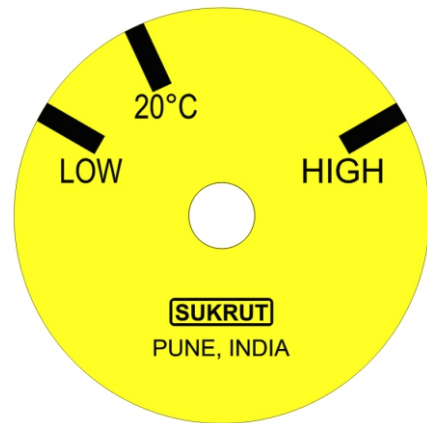


TAPPING TO BE DONE BEFORE WELDING

SECTION AT 'A-A'

MOUNTING PAD & GASKET NOT SUPPLIED BY SUKRUT

FIG.5 DIAL MARKING



SPECIAL DIAL MARKING IS POSSIBLE

GENERAL NOTES :

1. Indicators of different specifications are not interchangeable. Hence care should be taken while storing Indicators and their Float with Arms. This indicator can be used for vertical mounting as per order.
2. Float & Indicator, loose or assembled, should be handled carefully as they cannot be repaired if damaged.



SUKRUT ELECTRIC CO. PVT. LTD.

Plot No. Pap-B-63, MIDC Chakan Industrial Area Phase - II, Village Bhamboli, Taluka Khed District Pune 410 501, Maharashtra, India.

Mobile : +91 75077 78841 / 75077 78842

Email : marketing@sukrutelectric.com

Web : www.sukrutelectric.com

